

Omni Vision Inc

504 Congress Circle N.
Unit B
Roselle, IL. 60172

Display Monitor Specialist

Tel: 630-893-1720
FAX: 630-893-9991
Web: www.omnivisionusa.com
Email: info@omnivisionusa.com

Industrial TFT Color LCD Display Monitors
10.4" Chassis Version Model
Replacement for Omni Vision
LP1215H1N-xx model – NTSC 12" monochrome CRT

Made in the USA

NTSC monitor	Model #	
AC version – with CRT curvature bezel	FP10B4G1-F6	Input: 110/220 VAC



FEATURES

- Same easy to mount open frame, metal chassis as LP1215H1N-P31 and LP1215H1N-P4 monochrome CRT monitors
- With special plastic Bezel to match CRT curvature
- User service controls of brightness, contrast, auto set up, etc
- User service controls accessed in rear standard
- Data is displayed as black & white or can be color depending on input signal. Most previous monochrome data displayed in green (P31) phosphor will be displayed in black & white.
- Input signals - NTSC/PAL
- Input connector – standard BNC
- Input power flexibility - AC power input from 100-240 VAC @ 47 to 63 Hz
- Input power connector – AMP Mate-n-Lock, 6-pin
- **RoHS compliant**
- Safety agency compliance - UL, cUL, and others
- Standard model has anti-reflective polycarbonate protective

Omni Vision Inc
504 Congress Circle N.
Unit B
Roselle, IL. 60172

Display Monitor Specialist

Tel: 630-893-1720
 FAX: 630-893-9991
 Web: www.omnivisionusa.com
 Email: info@omnivisionusa.com

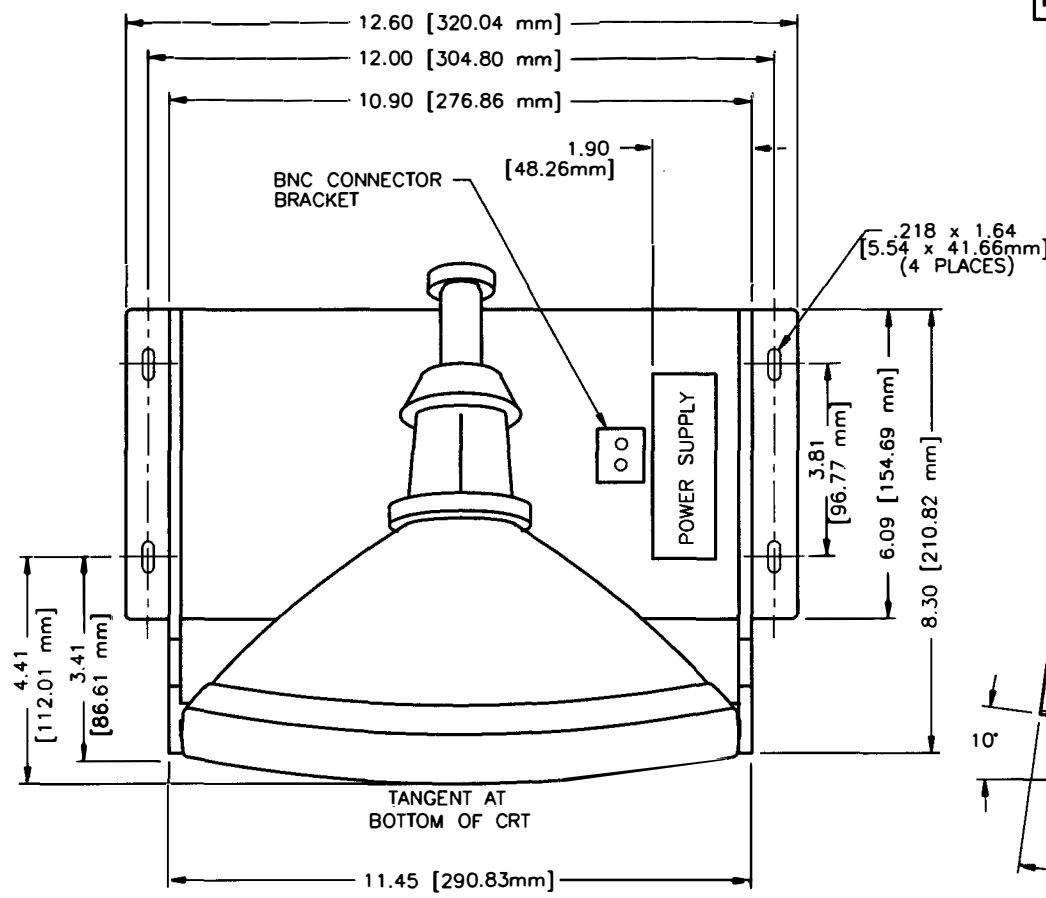
SPECIFICATIONS

Active Matrix	10.4" TFT color LCD (264.1 mm diagonal)
Usable Viewing Area (Size)	8.31" x 6.29" (211.2 x 158.4 mm)
Viewing Angle	Horizontal - right & left 60 degrees Vertical - upper 35 degrees & lower 65 degrees
Dot Pitch	0.264 x 0.264 mm
Max Resolution	800 x 600
Max Colors	262K colors (RGB 6-bit driver)
Response Time	Rise time - 10 millisec (typical) Fall time - 25 millisec (typical)
Horizontal Frequency	31.5 to 54 kHz
Vertical Frequency	56 to 85 Hz
Brightness (full white)	230 nits
Contrast Ratio	500:1
Input Signal	
NTSC/PAL models	Standard RCA connector or optional BNC adapter
Power input	
AC voltage input	Standard 100-240 VAC auto ranging @ 47 to 63 Hz Thru standard IEC-320 connector or 3-wire AC power cord
Temperature	
Operating	0 to +50 degrees C
Storage	-20 to +60 degrees C

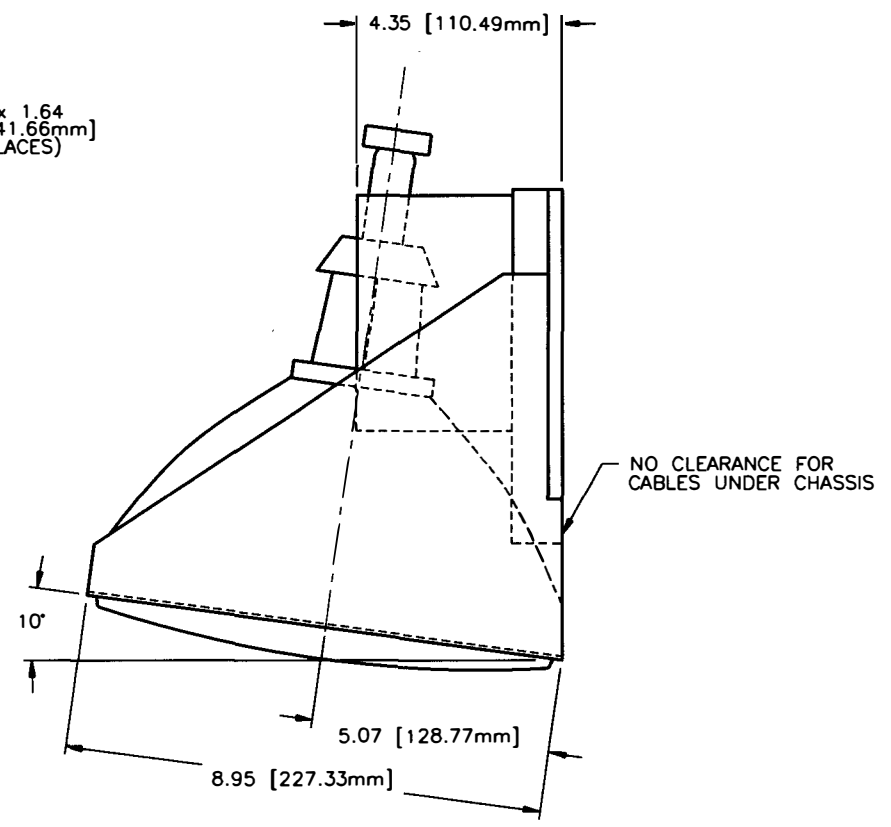
Mechanical Details

	Model #	Drawing #
12" monochrome CRT – 10 degree tilt Omni Vision style "F" chassis	FP10B4G1-F6	Drawing 94-013

REV	DESCRIPTION	DATE	CHGD	CHKD
-----	-------------	------	------	------



TOP VIEW



SIDE VIEW

UNLESS OTHERWISE SPECIFIED
 DIMENSIONS ARE IN INCHES AND
 APPLY AFTER HEAT TREAT & PLATING
 TOLERANCES ON: 2 PL. DEC. ±.01
 3 PL. DEC. ±.005
 ANGLE: ±2'

MATERIAL:
 FINISH:

APPROVALS	DATE
DRAWN: PDN	11/2/94
DESIGNED:	
CHECKED:	
MANUF.	
O.A.	
ENGINEER	

OMNI VISION INC. 168 Brandon Dr. Glendale Heights, IL 60139			
TITLE		12" MECHANICAL DETAIL (10° TILT) STYLE "F"	
SIZE	A	DRWG NO.	94-013
SCALE	NONE	USED ON	REV 0
SHEET 1		OF 1	