

Scratch Resistant Polycarbonate panel

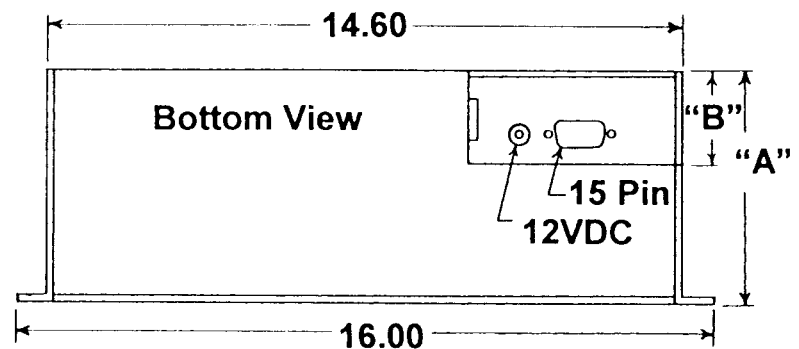
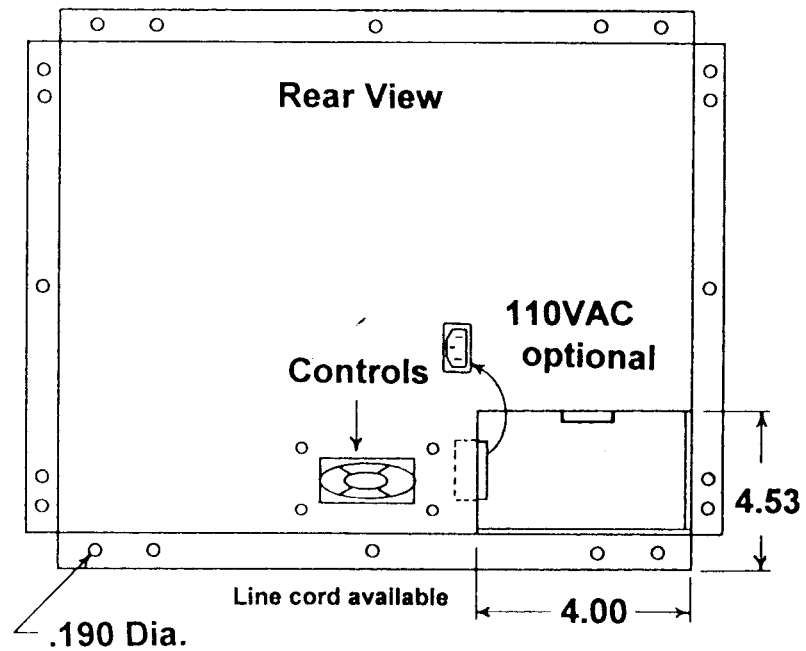
Touch Panel available

Contrast Enhancement Filter available

	Dim. A	Dim. B
12 VDC	2.25	.82
110 VAC	3.10	1.67

With Bezel see drawing # 94-401

Top & bottom flanges, OR
Side flanges may be removed
per customer request.



OMNI VISION INC.

168 North Brandon Drive • Glendale Heights, IL 60139
Tel: 630-893-1720 • FAX: 630-893-9991
www.omnivisionusa.com • e-mail: info@omnivisionusa.com

UNLESS OTHERWISE SPECIFIED, INCHES

15.1 Inch Color TFT LCD Monitor

Chassis

DRAWING NO.

94-400

REV

A