



The Display Specialists

2000 Bloomingdale Road
Units 245-250
Glendale Heights, IL 60139

Phone: (630) 893-1720
FAX: (630) 893-9991

Web: www.omnivisionusa.com
Email: info@omnivisionusa.com

12"
Monochrome CRT Open Frame or Kit Monitor
Replacement for Motorola & Display Tech Monitors
MD3000 and DS3000



LP12... series product
See table below for model numbers

This Omni Vision monitor is offered in an open frame chassis or as a kit version product for applications where a small display is required and the input signal can be composite video or TTL or analog video with TTL sync. This low power CRT module is a great solution. This 12" CRT provides great viewing angles and higher brightness levels. The main circuit board is made of industrial grade epoxy/fiber glass reinforced material with an FR4 rating.

Detail Specification:

CRT size	12"	Horizontal frequency	15 to 48.3 kHz +/- 500 Hz
		Vertical frequency	50 or 60 Hz
Phosphor	White P4 (std)	Video Response	From 20 to 65 MHz
Display size	55 sq. in maximum	Max Resolution	1024 X 768 @ 60 Hz
Scanning	Interlaced & non-interlaced	Display Color	Unlimited Gray Scale
Agency Approvals	UL, cUL, TUV	Agency Compliance	FDA, CE, FCC
Dimensions (HxWxD)	See mechanical drawing Style "B" 94-012 Style "F" 94-013 Style "G" 94-014	Net Weight (lbs.)	depends on product version kit or chassis

General Information:

- On board service controls Brightness, Contrast, Focus, Horizontal (Size, Centering, Hold), Vertical (Size, Centering, and Linearity)
- Optional remote brightness and contrast interface available
- Input signal type standard - Analog Video - 0 to 0.7 volts
Horizontal & Vertical Sync Signals - TTL level 0 to 5 volts
- Signal Connectors - Standard card edge connector
- Input Power - Standard +12 vdc @ 1.5 A (typical)
- Input Power Connector - Standard card edge connection
- Optional - AC Power Input - 100-240 VAC auto ranging (47-63 Hz)
- Temperature - Operating from 0 to +55 degrees C
Storage from -20 to +65 degrees C

Model numbering - LP12xyzz-?

			Options
xx	Is for frequency	Horizontal (kHz)	Typically 15, 18, 21, 24, 31, 35, or 48
y	Chassis	Composite video	Equals "G" for NTSC or PAL or unique
		TTL	Equals "E" for std TTL or analog video w/TTL sync
	Kit	Composite video	Equals "G" for NTSC or PAL or unique

2000 Bloomingdale Road
Units 245-250
Glendale Heights, IL 60139

Phone: (630) 893-1720
FAX: (630) 893-9991

Web: www.omnivisionusa.com
Email: info@omnivisionusa.com

		TTL	Equals "E" for std TTL or analog video w/TTL sync
zz	OVI assigned	Alpha numeric	1-9, A-Z, or combination of alpha number
?	Phosphor		P4 for white, P31 for green, LA for amber

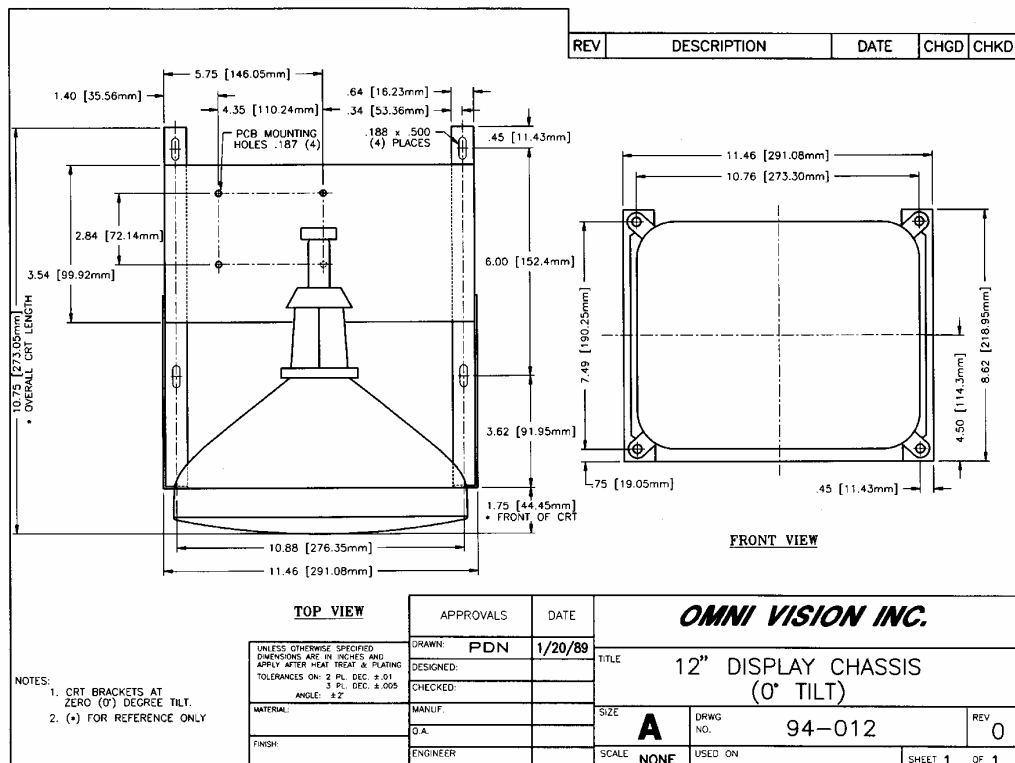
Features -

- All circuitry is on a single, double sided, plated through PCB.
- All controls are easily accessible from the top of monitor.
- The video display is stabilized through the use of a voltage controlled, temperature compensated feedback to synchronized free run oscillator.
- Electronic horizontal video centering.
- Geometric distortion - within 2 % EIS Standard Dot/Ball Chart or variation between adjacent characters not more than 10 % in alpha numeric display applications
- High Voltage - Over 10 kV at 50 microamperes of beam current with no more than 0.5 kV variation from zero beam to 100 microamperes beam current.

Additional detail specifications -

TTL signals		
Signal	Positive polarity	+ 2.5 v to 5.0 v
Video	Input Impedance	470 ohms
	Bandwidth	Within 3 dB from 10 Hz to 26 kHz
Vertical	Input Impedance	Greater than 1k Ohms
	Typical Signal	180 micro seconds
Horizontal	Input Impedance	Greater than 6k Ohms
	Typical Signal	2.5 to 8 micro seconds
Composite video		
Signal	Positive video - negative sync	0.7 v to 1.8 v peak to peak composite
	Input Impedance	75 Ohms
	Bandwidth	Within 3 dB from 10 Hz to 26 kHz

Drawing 94-012

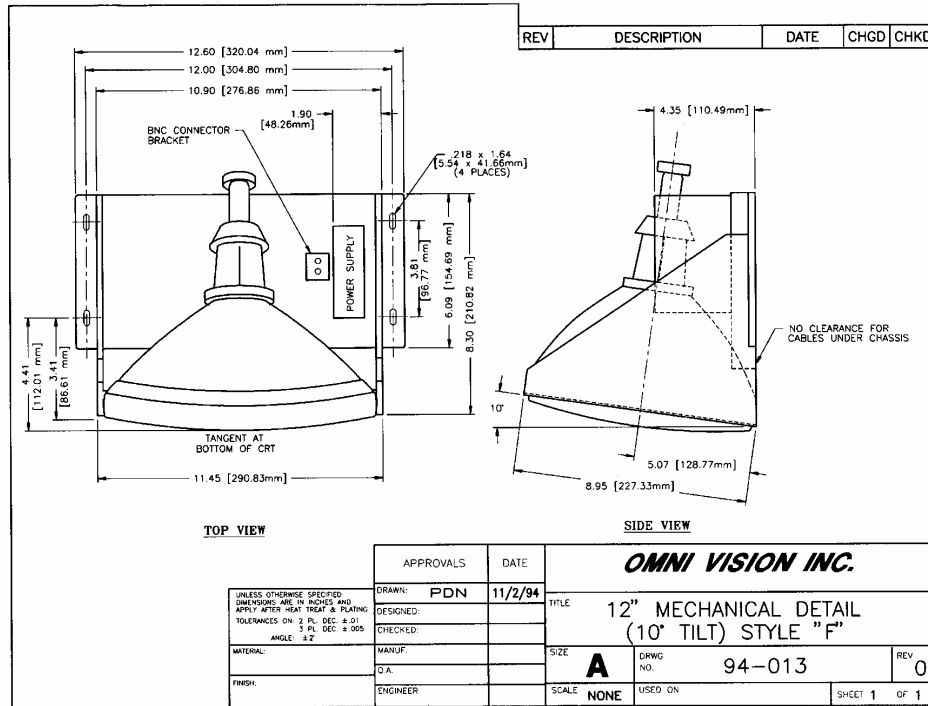


2000 Bloomingdale Road
Units 245-250
Glendale Heights, IL 60139

Phone: (630) 893-1720
FAX: (630) 893-9991

Web: www.omnivisionusa.com
Email: info@omnivisionusa.com

Drawing 94-013 For MD3000



Drawing 94-014 for DS3000

