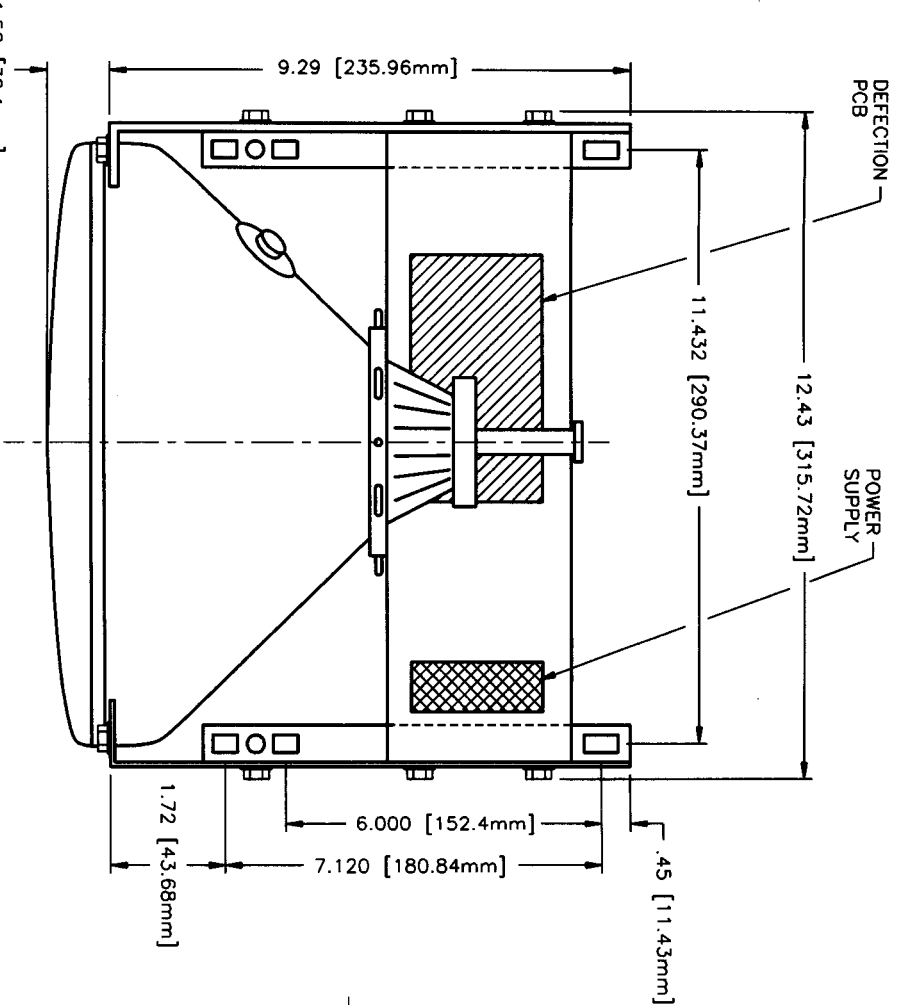
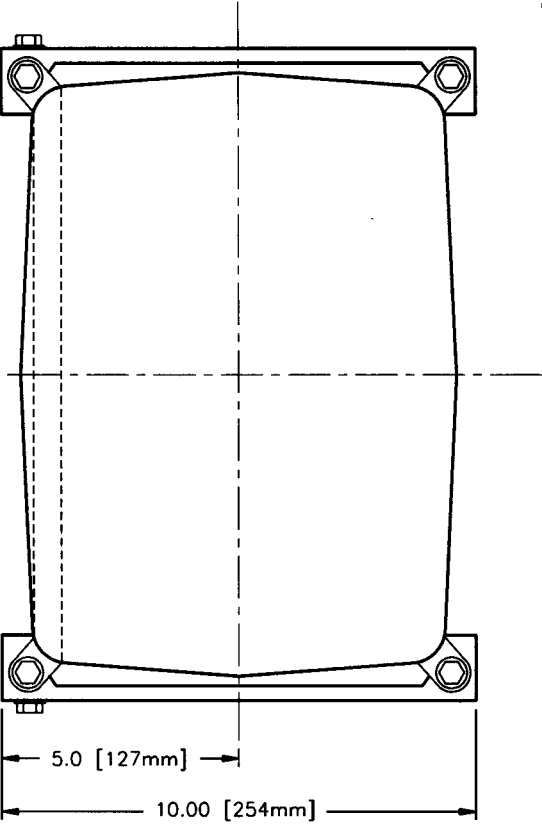


REV	DESCRIPTION	DATE	CHGD	CHKD



TOP VIEW



FRONT VIEW

UNLESS OTHERWISE SPECIFIED
 DIMENSIONS ARE IN INCHES AND
 APPLY AFTER HEAT TREAT & PLATING
 TOLERANCES ON: 2 PL. DEC. ± .01
 3 PL. DEC. ± .005
 ANGLE: ± 2°

MATERIAL: _____
 FINISH: _____

APPROVALS	DATE
PDN	1/16/90
DESIGNED:	
CHECKED:	
MANUF:	
Q.A.	
ENGINEER	

2000 Bloomingdale Road • Units 245-250 • Glendale Heights, IL 60139

OMNI VISION INC.

14" CHASSIS
 (0° TILT)

SIZE	DRWG NO.	REV
A	94-015	0
SCALE	USED ON	
NONE		
SHEET 1	OF 1	