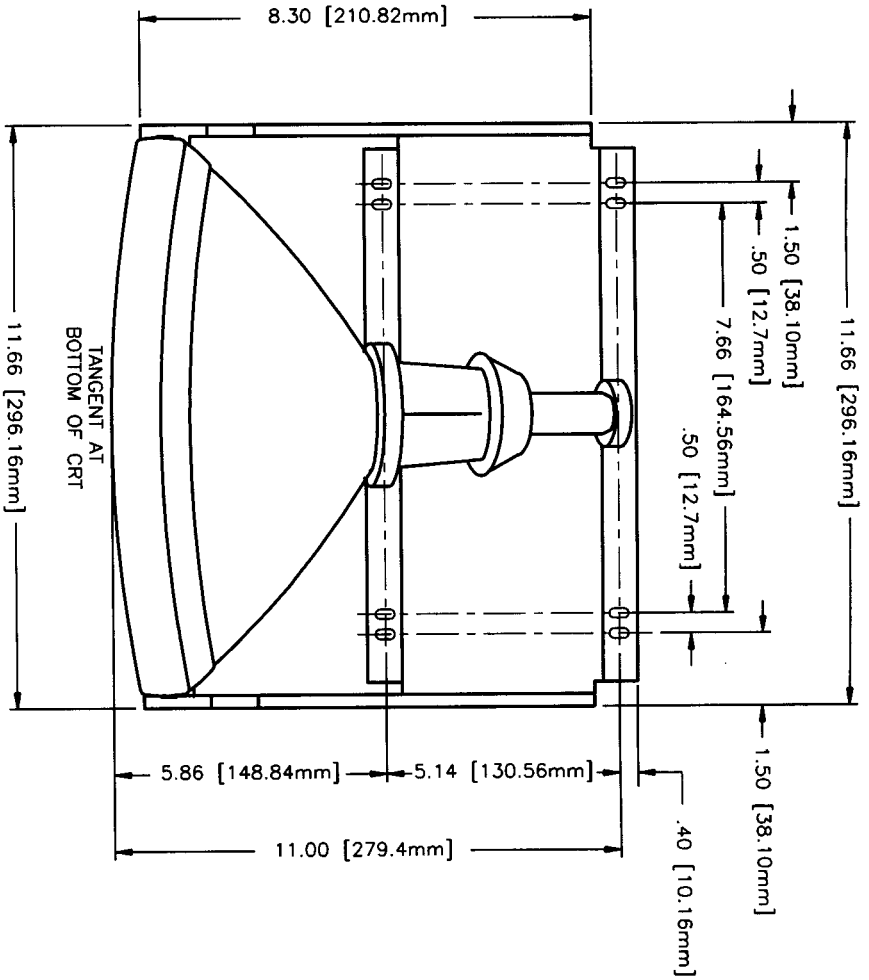
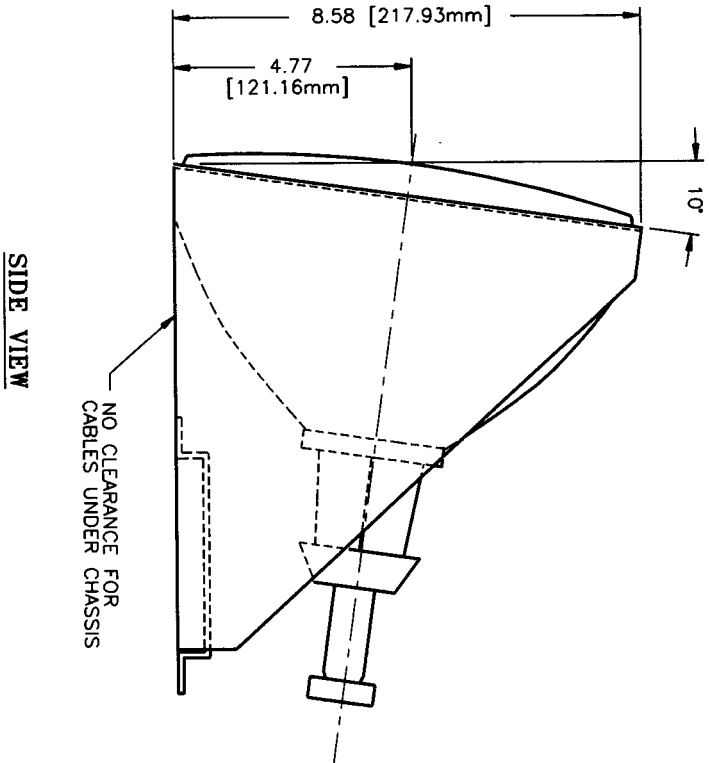


REV	DESCRIPTION	DATE	CHGD	CHKD



TOP VIEW



SIDE VIEW

UNLESS OTHERWISE SPECIFIED DIMENSIONS ARE IN INCHES AND APPLY AFTER HEAT TREAT & PLATING TOLERANCES ON: 2 PL. DEC. ±.01 3 PL. DEC. ±.005 ANGLE: ±2°		APPROVALS PDN	DATE 4/7/93	OMNI VISION INC. 2000 Bloomingdale Road • Units 245-250 • Glendale Heights, IL 60139	
DRAWN:	DESIGNED:	CHECKED:	MANUF.:	Q.A.:	FINISH:
TITLE 12" MECHANICAL DETAIL (10° TILT) STYLE "G"	SIZE A	DRWG NO. 94-014	SCALE NONE	USED ON	SHEET 1 OF 1