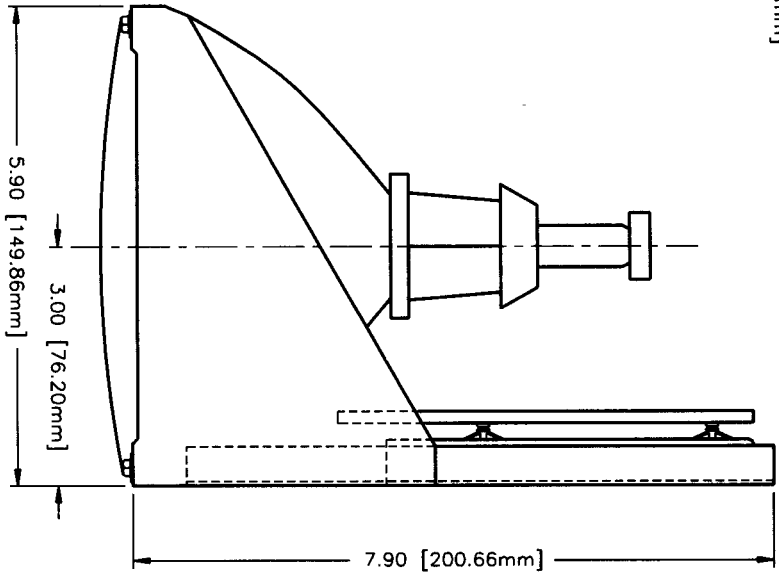
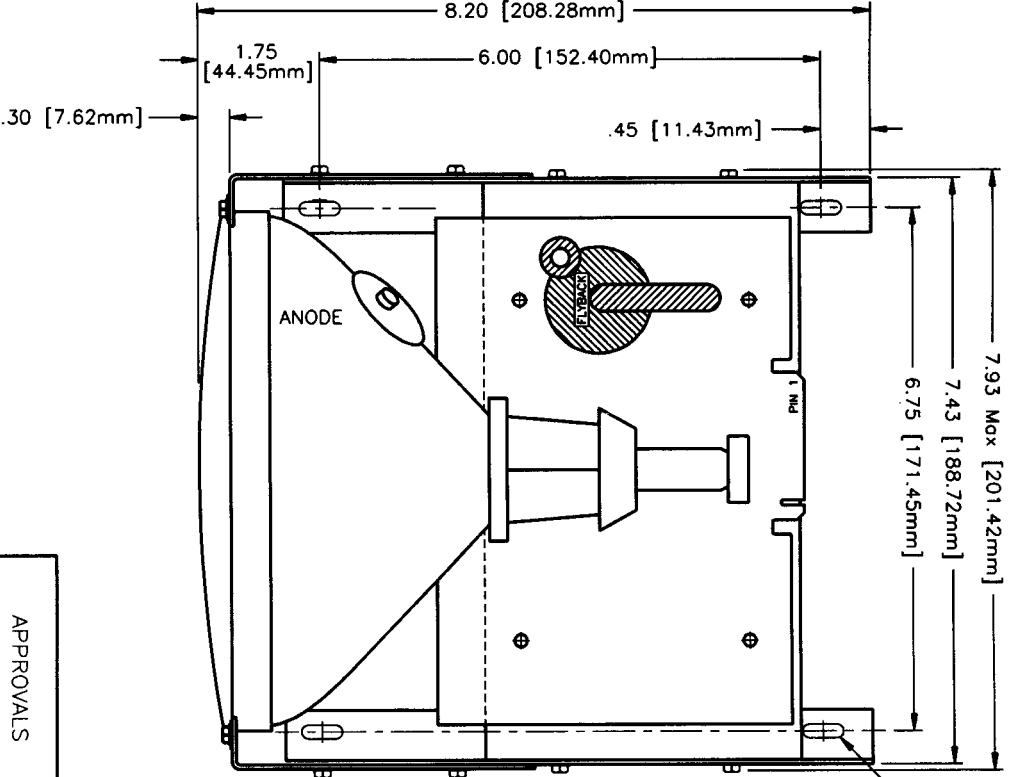


REV	DESCRIPTION	DATE	CHGD	CHKD



UNLESS OTHERWISE SPECIFIED  
 DIMENSIONS ARE IN INCHES AND  
 APPLY AFTER HEAT TREAT & PLATING  
 TOLERANCES ON: 2 PL. DEC. ±.01  
 3 PL. DEC. ±.005  
 ANGLE: ±Z

APPROVALS	DATE	<b>OMNI VISION INC.</b> 2000 Bloomingdale • Units 245-250 • Glendale Heights, IL 60139			
PDN	3/10/88	TITLE	SIZE	DRWG NO.	REV
DESIGNED:		7" MECHANICAL DETAIL (0° TILT), STYLE "B"	A	94-009	0
CHECKED:		SCALE	NONE	USED ON	SHEET 1 OF 1
MANUF:		FINISH:		ENGINEER	