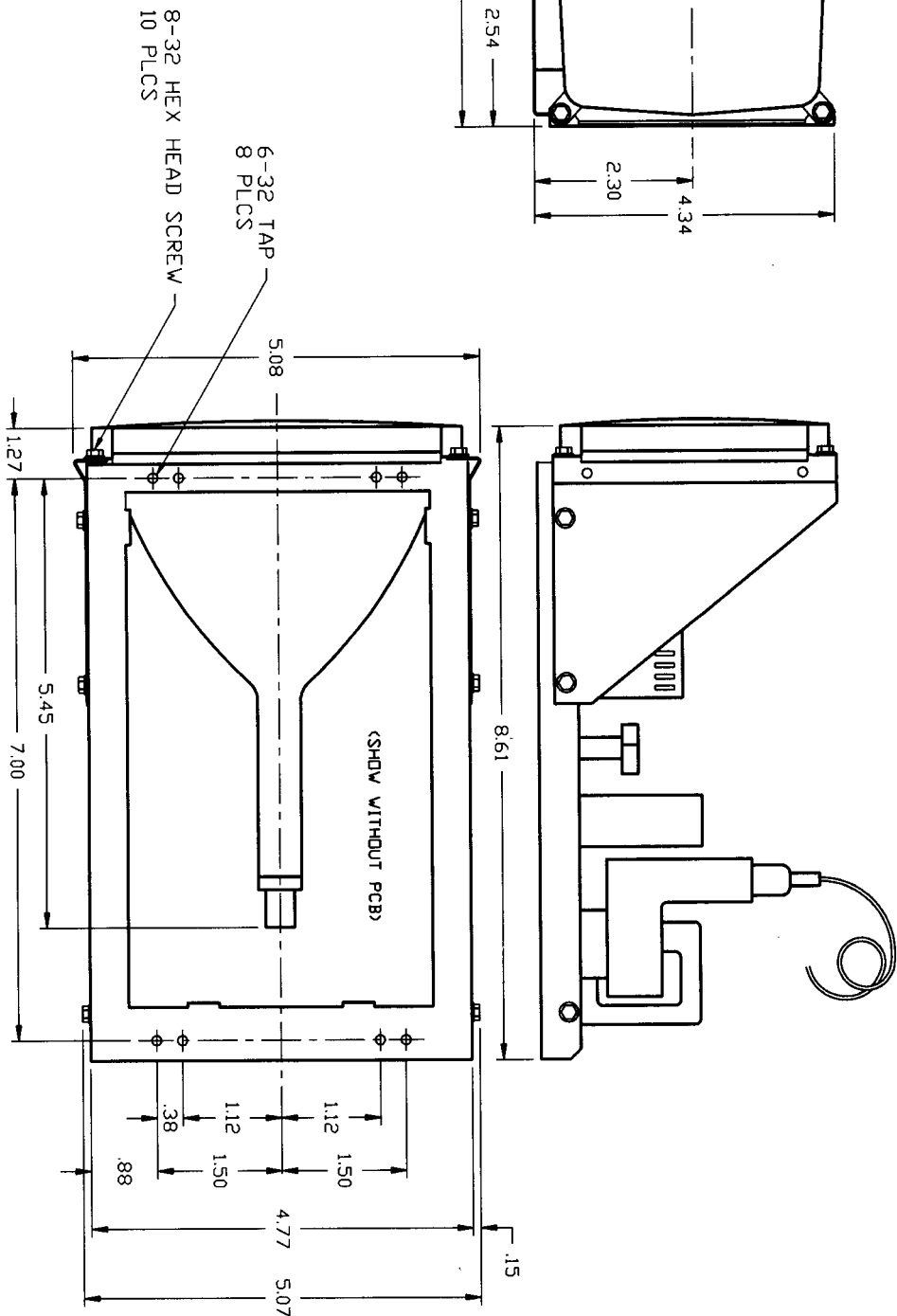
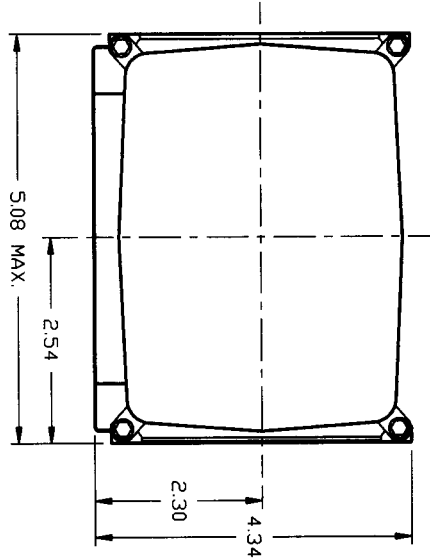


REV	DESCRIPTION	DATE	CHGD	CHKD



UNLESS OTHERWISE SPECIFIED
 DIMENSIONS ARE IN INCHES AND
 APPLY AFTER HEAT TREAT & PLATING
 TOLERANCES ON: 2 PL. DEC. ±.01
 3 PL. DEC. ±.005
 ANGLE: ±Z

APPROVALS	DATE	OMNI VISION INC. 2000 Bloomingdale Road • Units 245-250 • Glendale Heights, IL 60139		
DRAWN: PDN	10/03/96	TITLE	SIZE	REV
DESIGNED:		5" MONITOR DIMENSIONS	A	A
CHECKED:		LOW PROFILE CHASSIS	DRWG NO.	
MANUF:			94-005	
MATERIAL:		SCALE	USED ON	
FINISH:		NONE		
ENGINEER				SHEET 1 OF 1