

2000 Bloomingdale Road
Units 245-250
Glendale Heights, IL 60139

Phone: (630) 893-1720
FAX: (630) 893-9991

Web: www.omnivisionusa.com
Email: info@omnivisionusa.com

12"
Monochrome CRT
Open Frame or Kit
Monitor



LP12... series product
See table below for model numbers

This Omni Vision monitor is offered in an open frame chassis or as a kit version product for applications where a small display is required and the input signal can be composite video or TTL or analog video with TTL sync. This low power CRT module is a great solution. This 12" CRT provides great viewing angles and higher brightness levels. The main circuit board is made of industrial grade epoxy/fiber glass reinforced material with an FR4 rating.

Detail Specification:

CRT size	12"	Horizontal frequency	15 to 48.3 kHz +/- 500 Hz
		Vertical frequency	50 or 60 Hz
Phosphor	White P4 (std)	Video Response	From 20 to 65 MHz
Display size	55 sq. in maximum	Max Resolution	1024 X 768 @ 60 Hz
Scanning	Interlaced & non-interlaced	Display Color	Unlimited Gray Scale
Agency Approvals	UL, cUL, TUV	Agency Compliance	FDA, CE, FCC
Dimensions (HxWxD)	See mechanical drawing Style "B" 94-012 Style "F" 94-013 Style "G" 94-014	Net Weight (lbs.)	depends on product version kit or chassis

General Information:

- On board service controls Brightness, Contrast, Focus, Horizontal (Size, Centering, Hold), Vertical (Size, Centering, and Linearity)
- Optional remote brightness and contrast interface available
- Input signal type standard - Analog Video - 0 to 0.7 volts
Horizontal & Vertical Sync Signals - TTL level 0 to 5 volts
- Signal Connectors - Standard card edge connector
- Input Power - Standard +12 vdc @ 1.5 A (typical)
- Input Power Connector - Standard card edge connection
- Optional - AC Power Input - 100-240 VAC auto ranging (47-63 Hz)
- Temperature - Operating from 0 to +55 degrees C
Storage from -20 to +65 degrees C

Model numbering - LP12xyzz-?

			Options
xx	Is for frequency	Horizontal (kHz)	Typically 15, 18, 21, 24, 31, 35, or 48
y	Chassis	Composite video	Equals "G" for NTSC or PAL or unique
		TTL	Equals "E" for std TTL or analog video w/TTL sync
	Kit	Composite video	Equals "G" for NTSC or PAL or unique

2000 Bloomingdale Road
Units 245-250
Glendale Heights, IL 60139

Phone: (630) 893-1720
FAX: (630) 893-9991

Web: www.omnivisionusa.com
Email: info@omnivisionusa.com

		TTL	Equals "E" for std TTL or analog video w/TTL sync
zz	OVI assigned	Alpha numeric	1-9, A-Z, or combination of alpha number
?	Phosphor		P4 for white, P31 for green, LA for amber

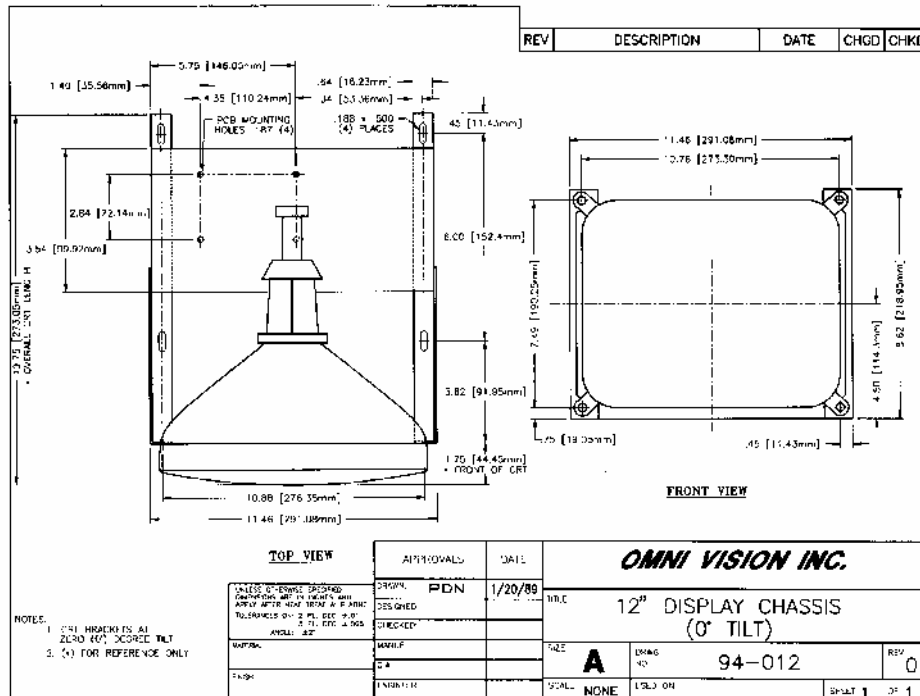
Features -

- All circuitry is on a single, double sided, plated through PCB.
 - All controls are easily accessible from the top of monitor.
 - The video display is stabilized through the use of a voltage controlled, temperature compensated feedback to synchronized free run oscillator.
 - Electronic horizontal video centering.
 - Geometric distortion - within 2 % EIS Standard Dot/Ball Chart or variation between adjacent characters not more than 10 % in alpha numeric display applications
- High Voltage - Over 10 kV at 50 microamperes of beam current with no more than 0.5 kV variation from zero beam to 100 microamperes beam current.

Additional detail specifications -

TTL signals		
Signal	Positive polarity	+ 2.5 v to 5.0 v
Video	Input Impedance Bandwidth	470 ohms Within 3 dB from 10 Hz to 26 kHz
Vertical	Input Impedance Typical Signal	Greater than 1k Ohms 180 micro seconds
Horizontal	Input Impedance Typical Signal	Greater than 6k Ohms 2.5 to 8 micro seconds
Composite video		
Signal	Positive video - negative sync	0.7 v to 1.8 v peak to peak composite
	Input Impedance Bandwidth	75 Ohms Within 3 dB from 10 Hz to 26 kHz

Drawing 94-012

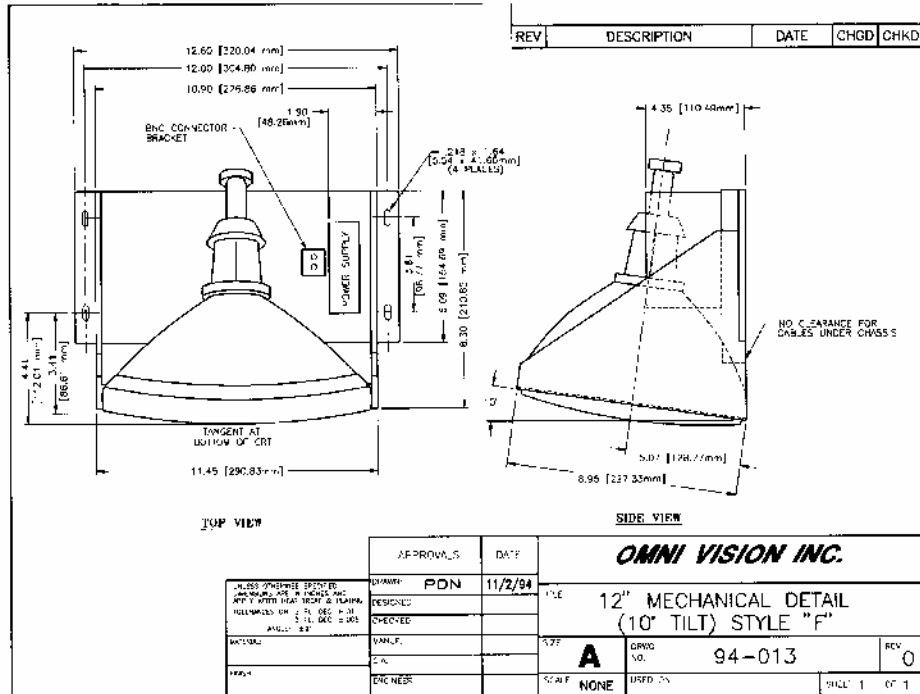


2000 Bloomingdale Road
Units 245-250
Glendale Heights, IL 60139

Phone: (630) 893-1720
FAX: (630) 893-9991

Web: www.omnivisionusa.com
Email: info@omnivisionusa.com

Drawing 94-013



Drawing 94-014

