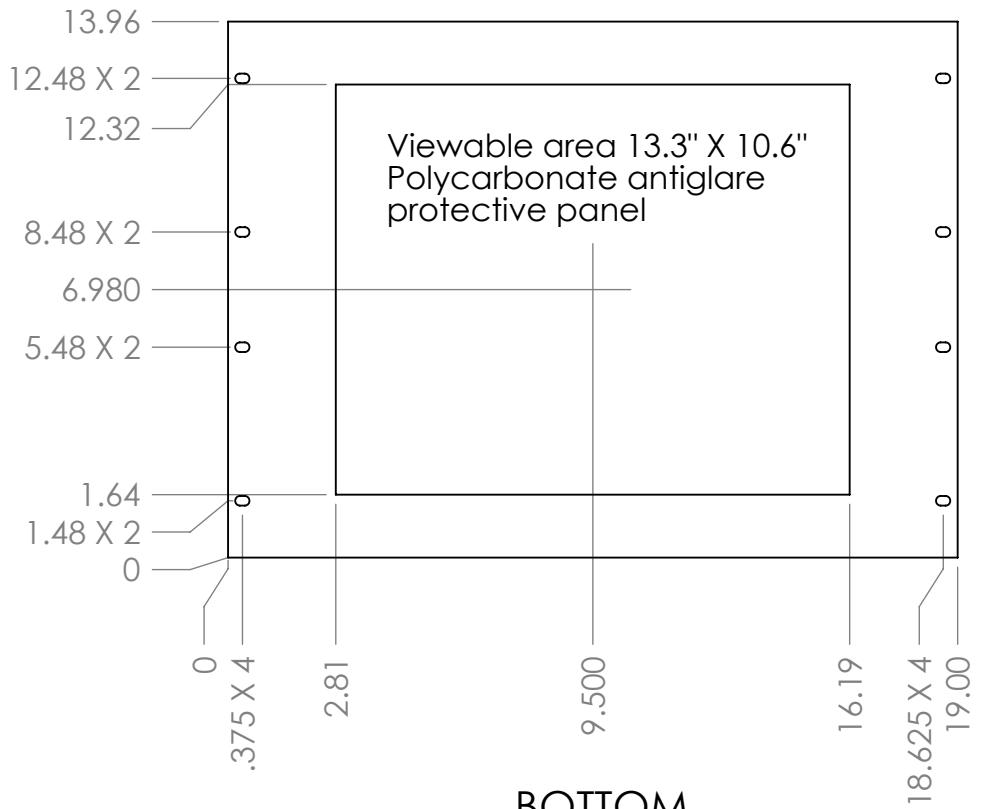
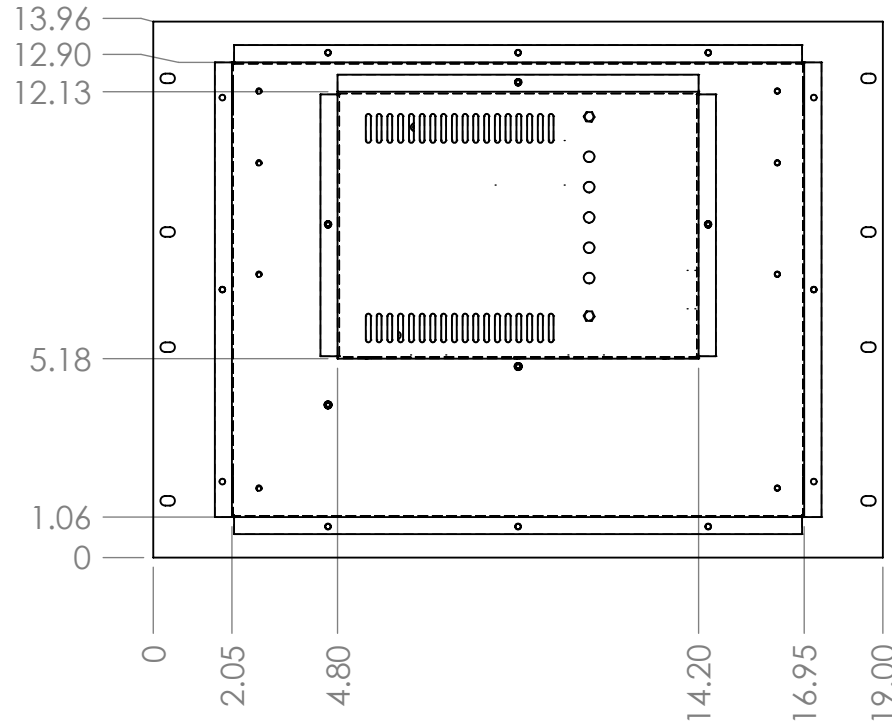


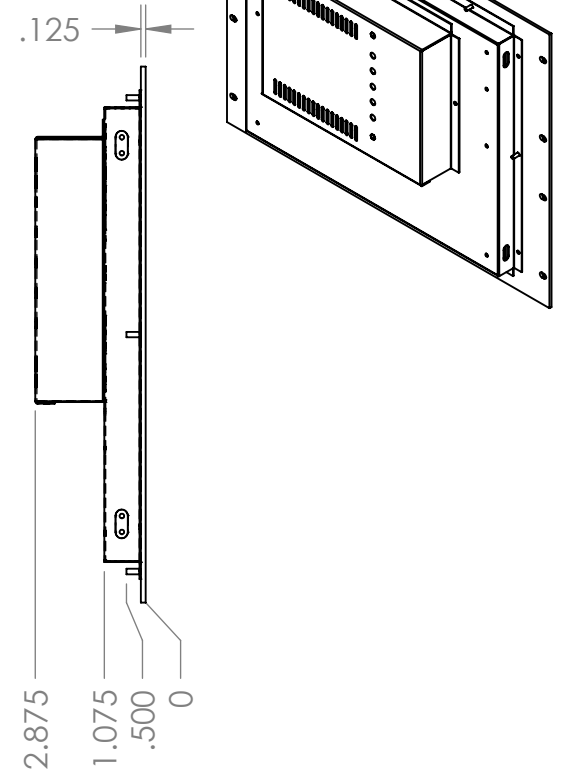
FRONT



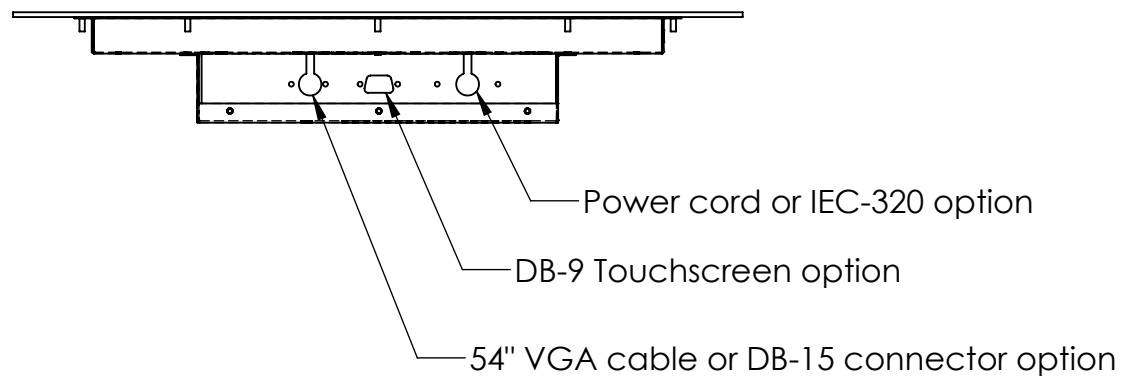
BACK



SIDE



BOTTOM



ISSUE	DESCRIPTION	DATE
	OMNI VISION INC.	6/07/10
MATL.	TITLE: 17" Open Frame, Rackmount	ISS. A
FINISH	DWG. NO. 94-322	SHEET 1 of 1