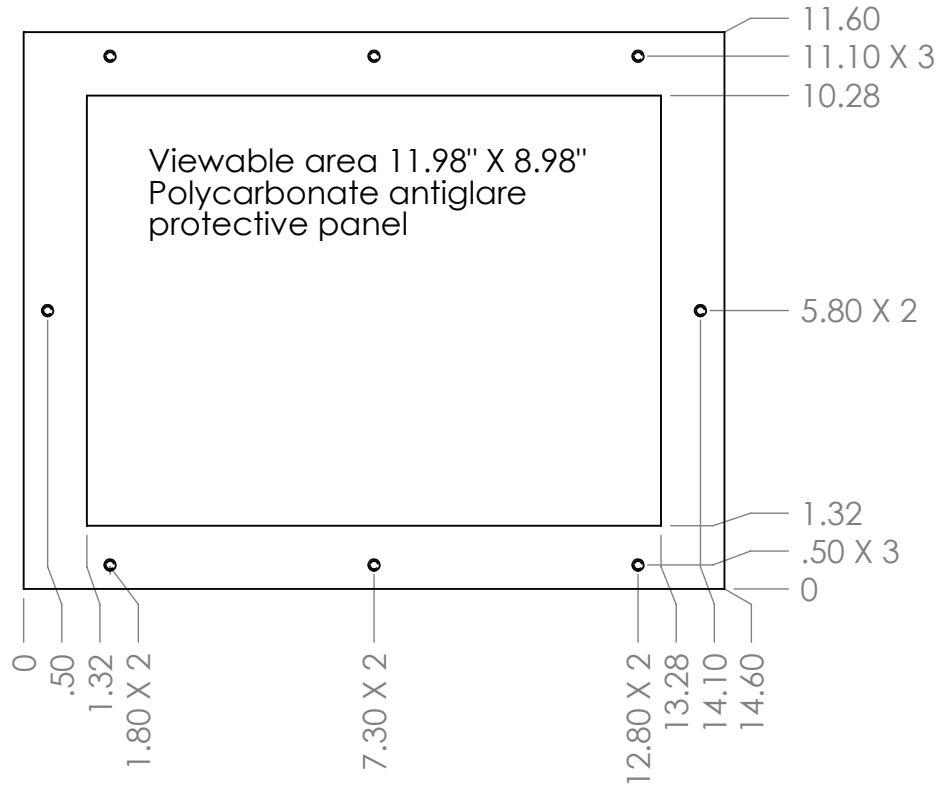
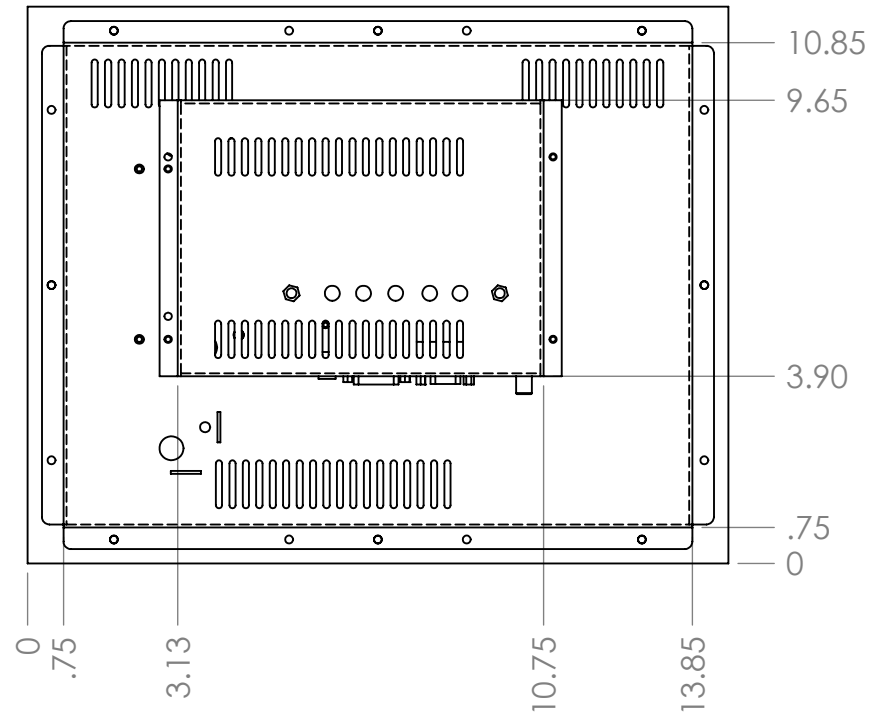


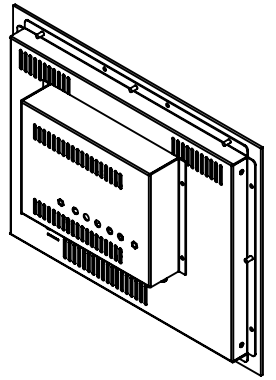
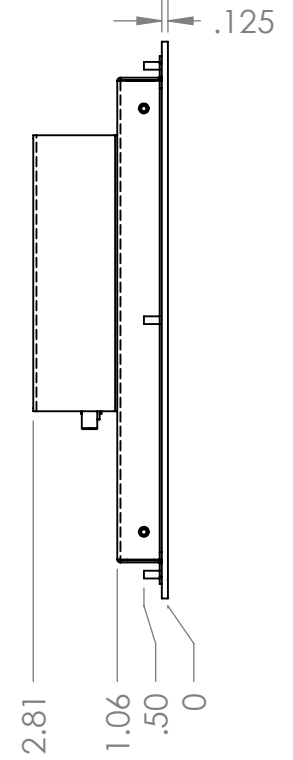
FRONT



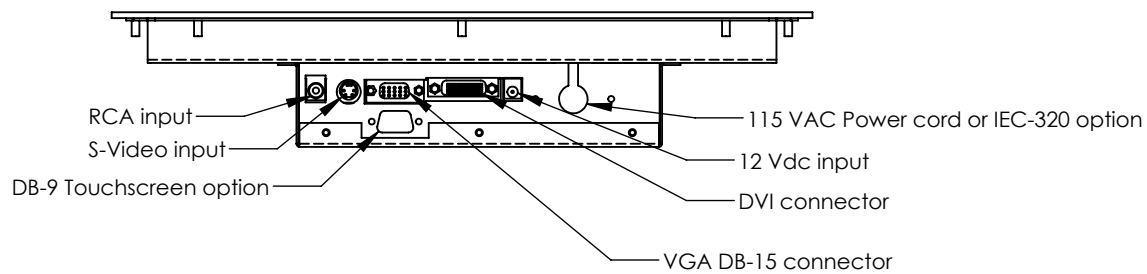
BACK



SIDE



BOTTOM



ISSUE	DESCRIPTION	DATE
	OMNI VISION INC.	4/12/11
MATL.	TITLE: 15.1" Open, Bezel	ISS. A
FINISH	DWG. NO. 94-415	SHEET 1 of 1