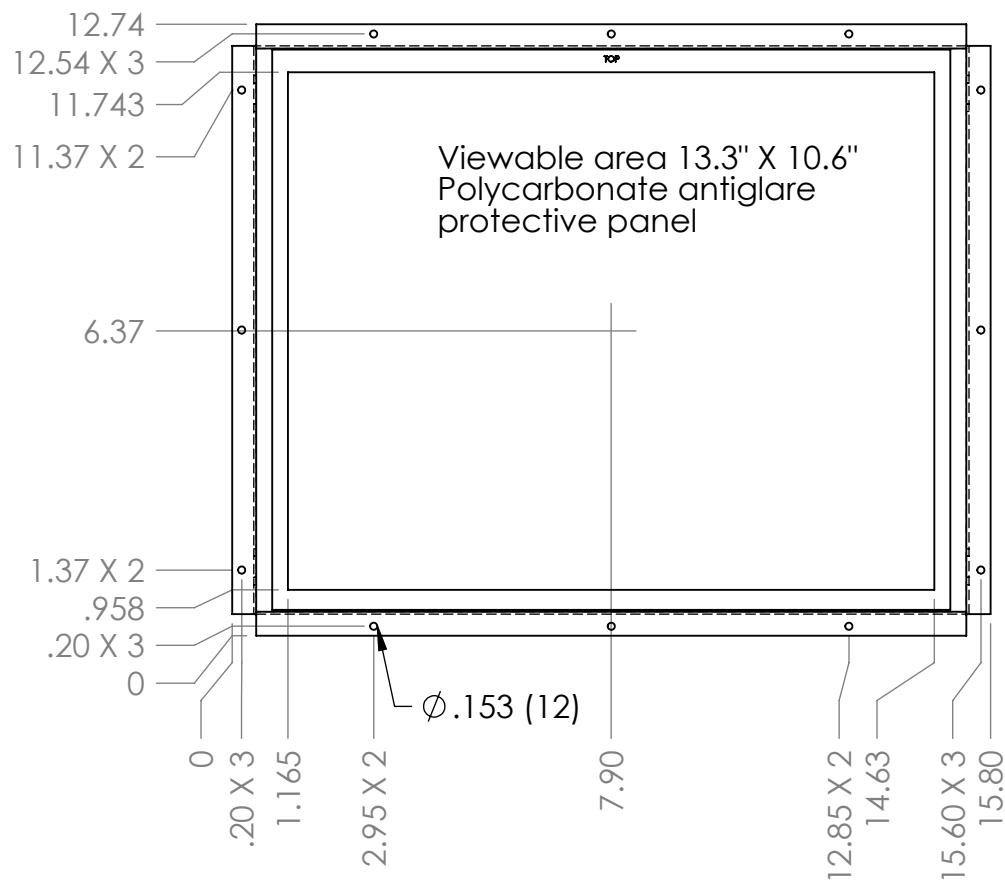
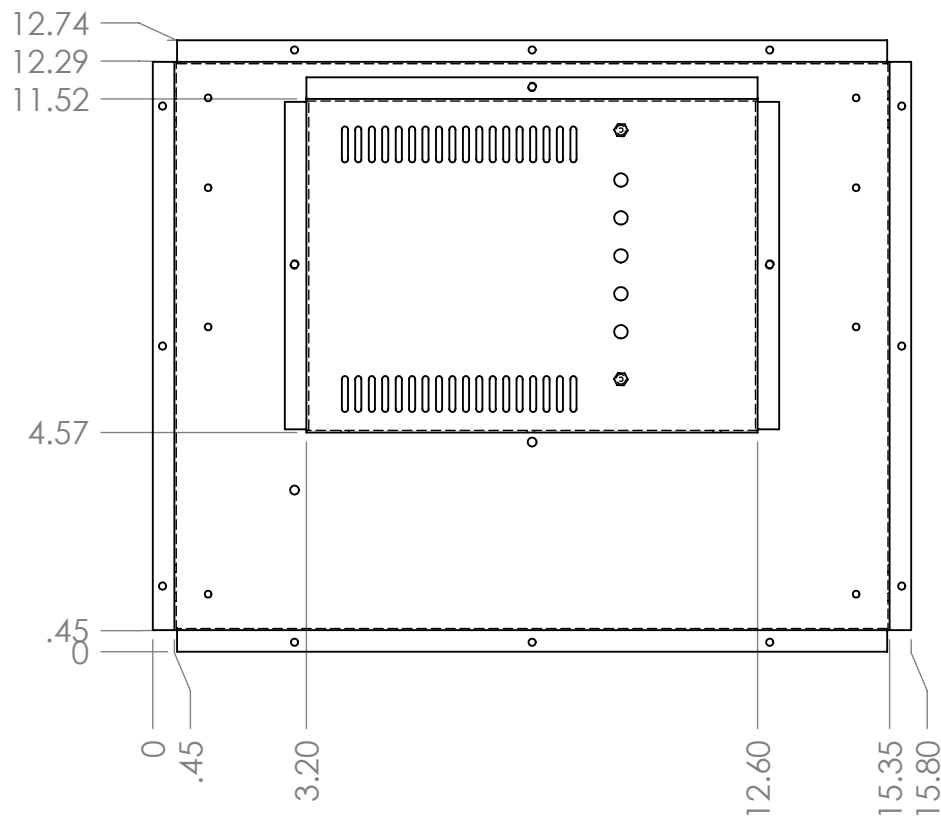


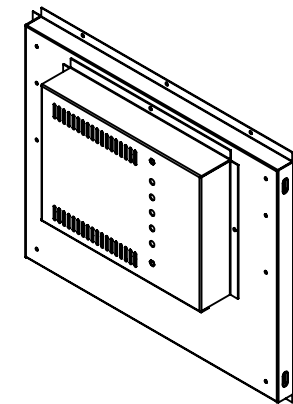
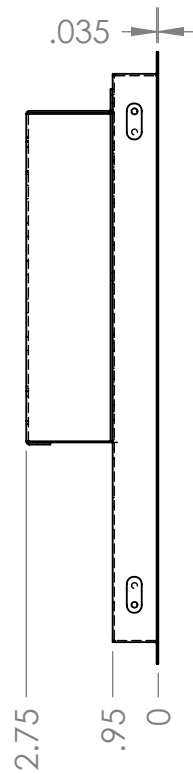
FRONT



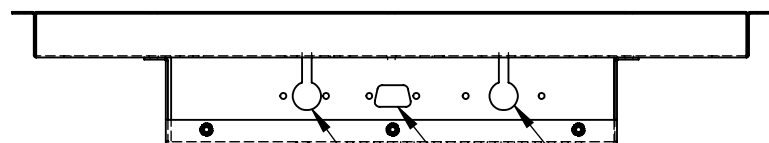
BACK



SIDE



BOTTOM



- Power cord or IEC-320 option
- DB-9 Touchscreen option
- 54" VGA cable or DB-15 connector option

ISSUE	DESCRIPTION	DATE

MATL.	TITLE: 17" Open Frame	ISS. A
FINISH	DWG. NO. 94-320	SHEET 1 of 1