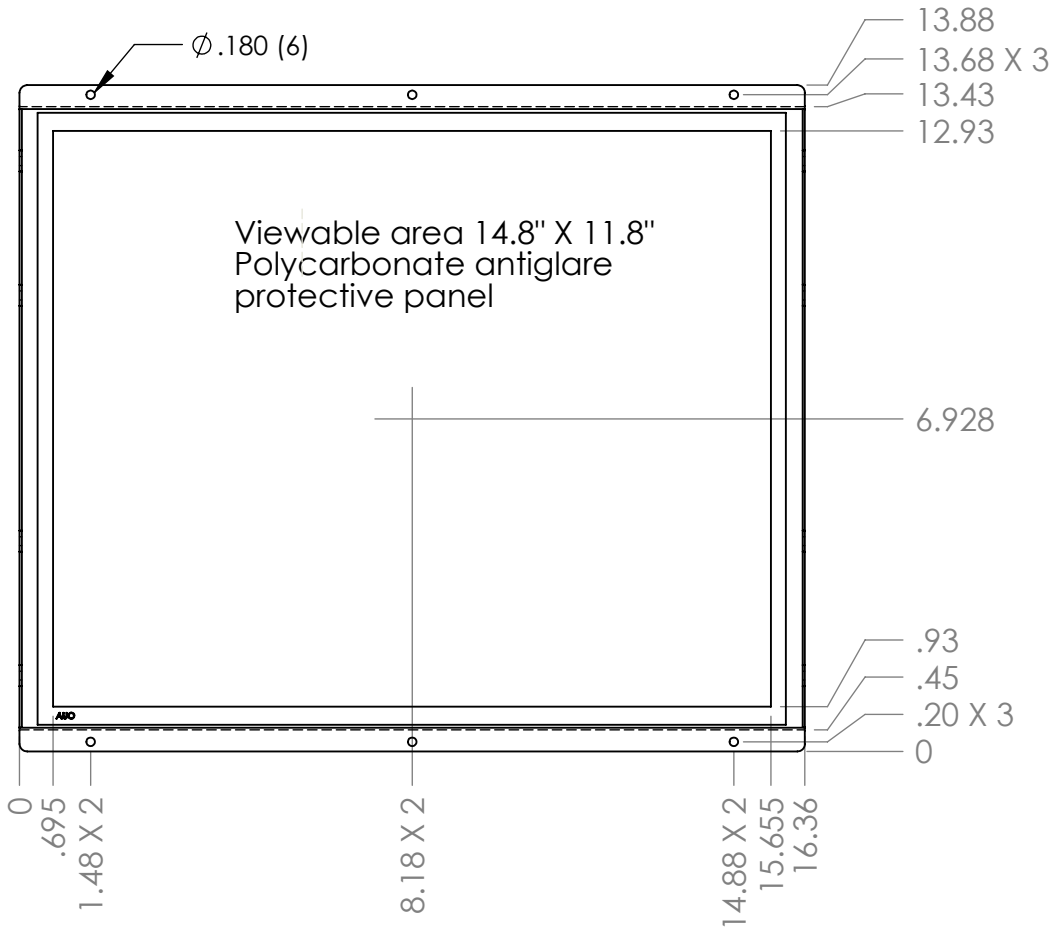
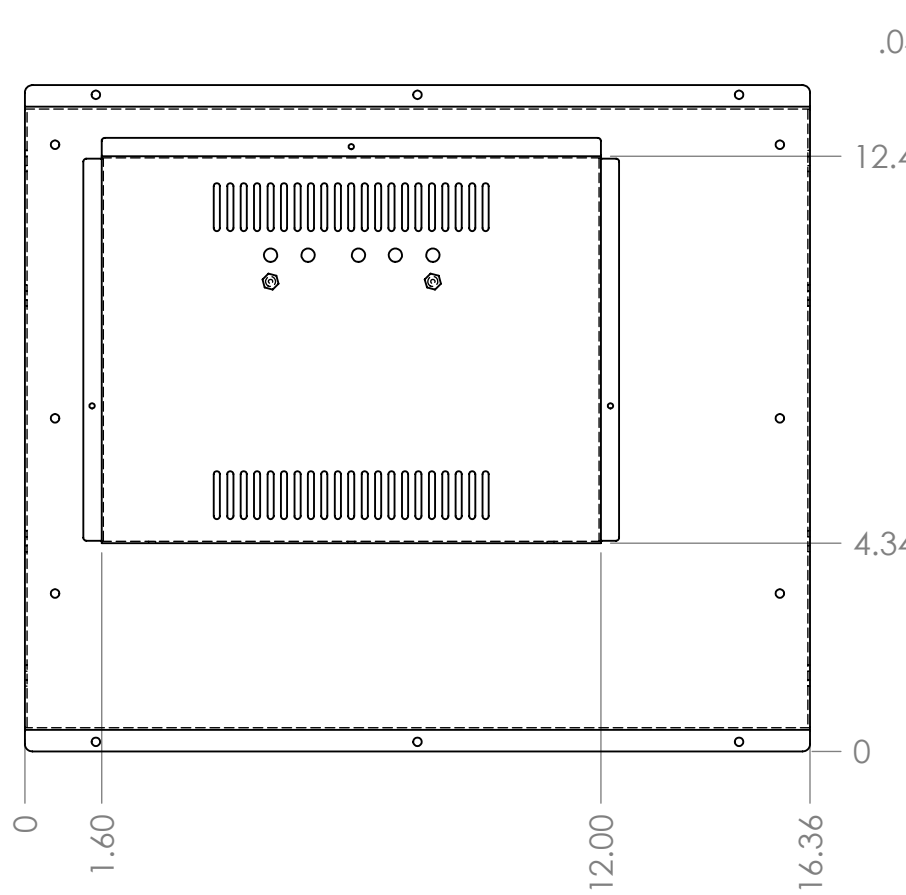


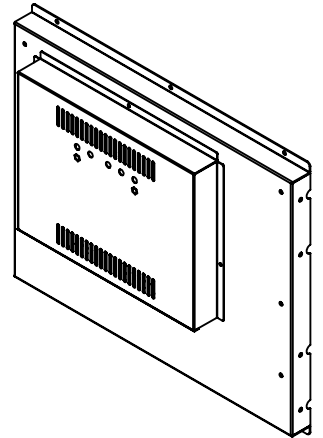
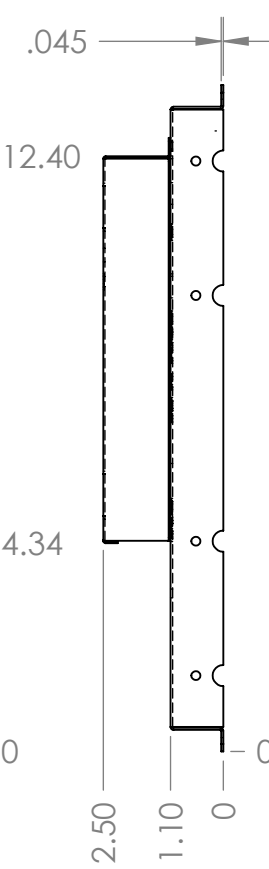
FRONT



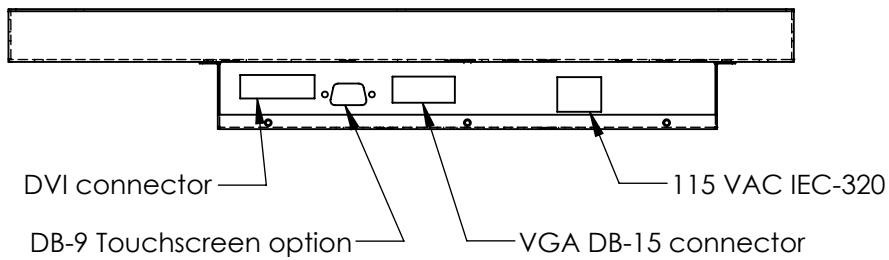
BACK



SIDE



BOTTOM



ISSUE	DESCRIPTION	DATE
	OMNI VISION INC.	6/30/10

MATL.	TITLE: 19" Open Frame	ISS. A
FINISH	DWG. NO. 94-309	SHEET 1 of 1