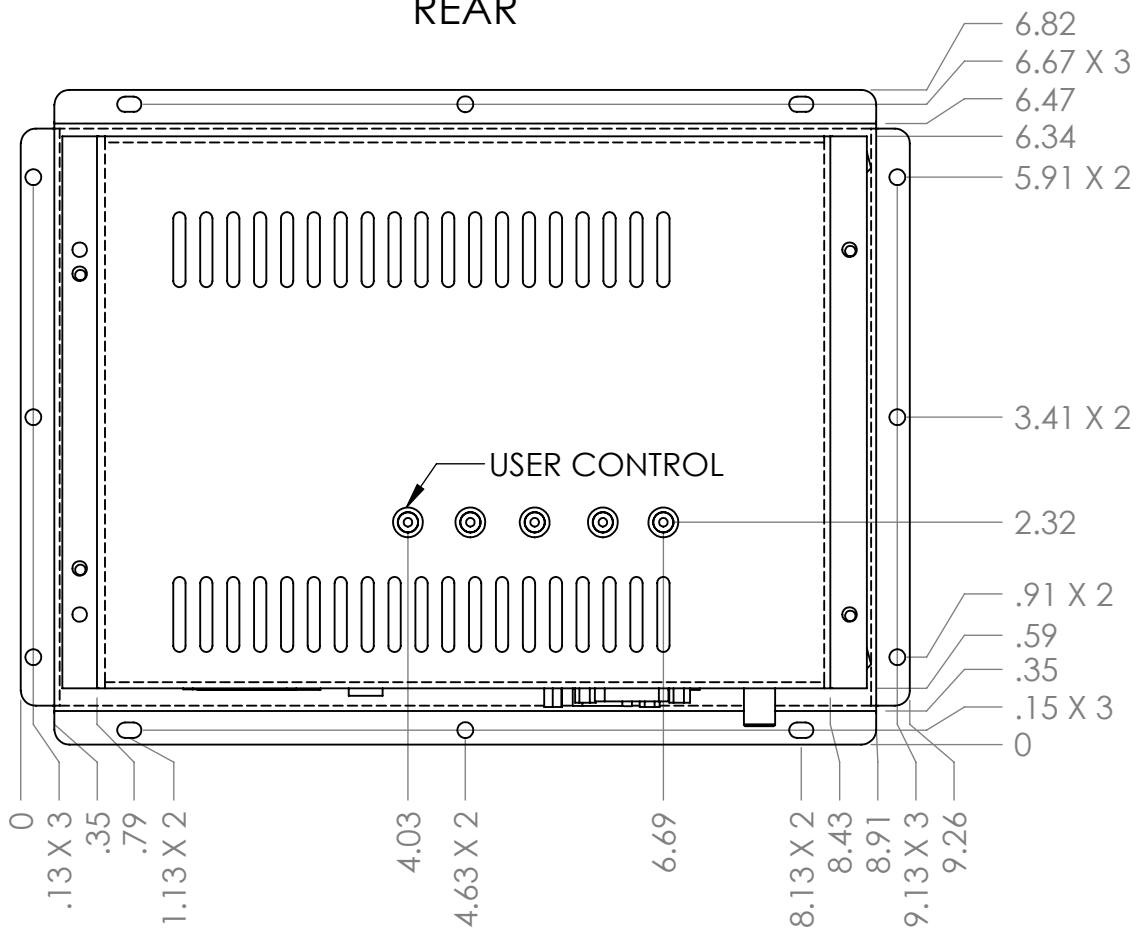
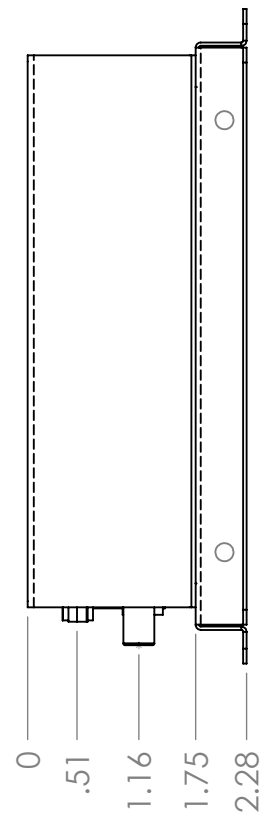


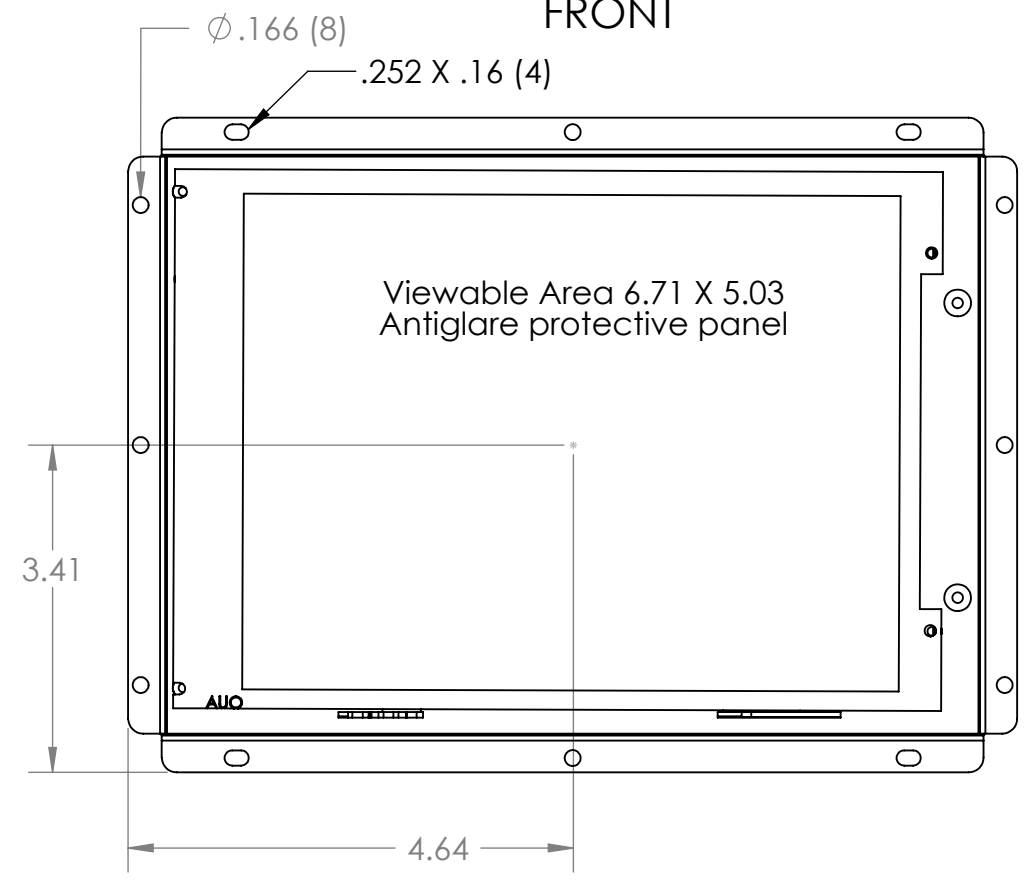
REAR



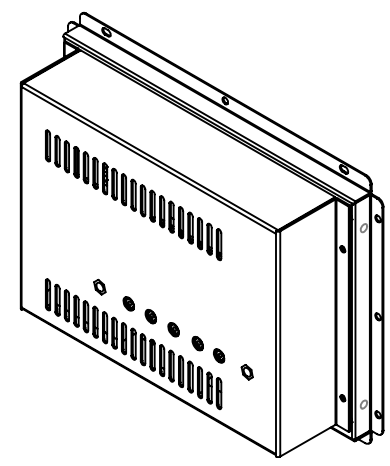
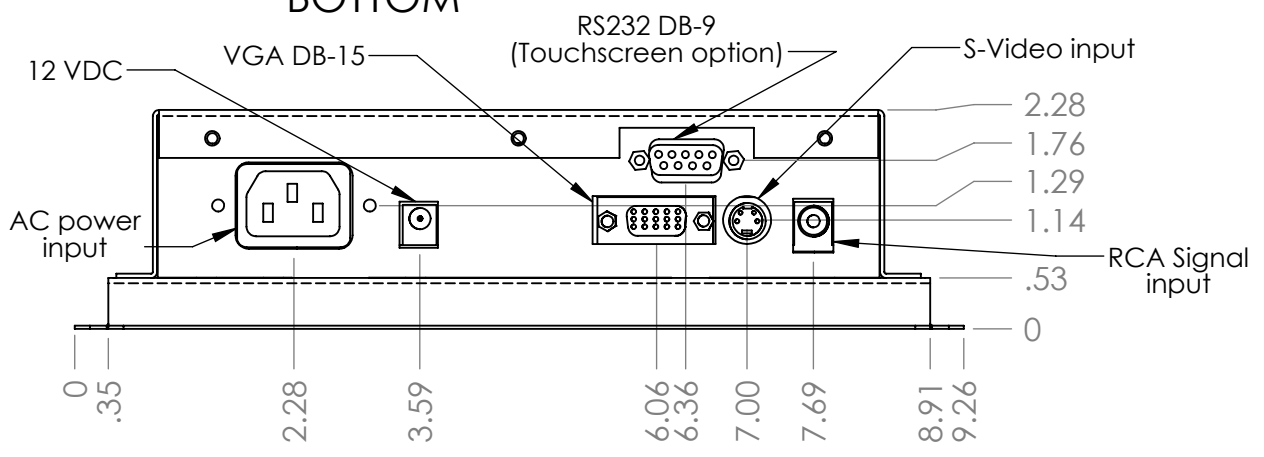
SIDE



FRONT



BOTTOM



B		6/12/12
ISSUE	DESCRIPTION	DATE
OMNI VISION INC.		

MATL.	TITLE: 8.4" Open Frame Monitor	ISS.
FINISH	DWG. NO. 94-728	SHEET 1 of 1